

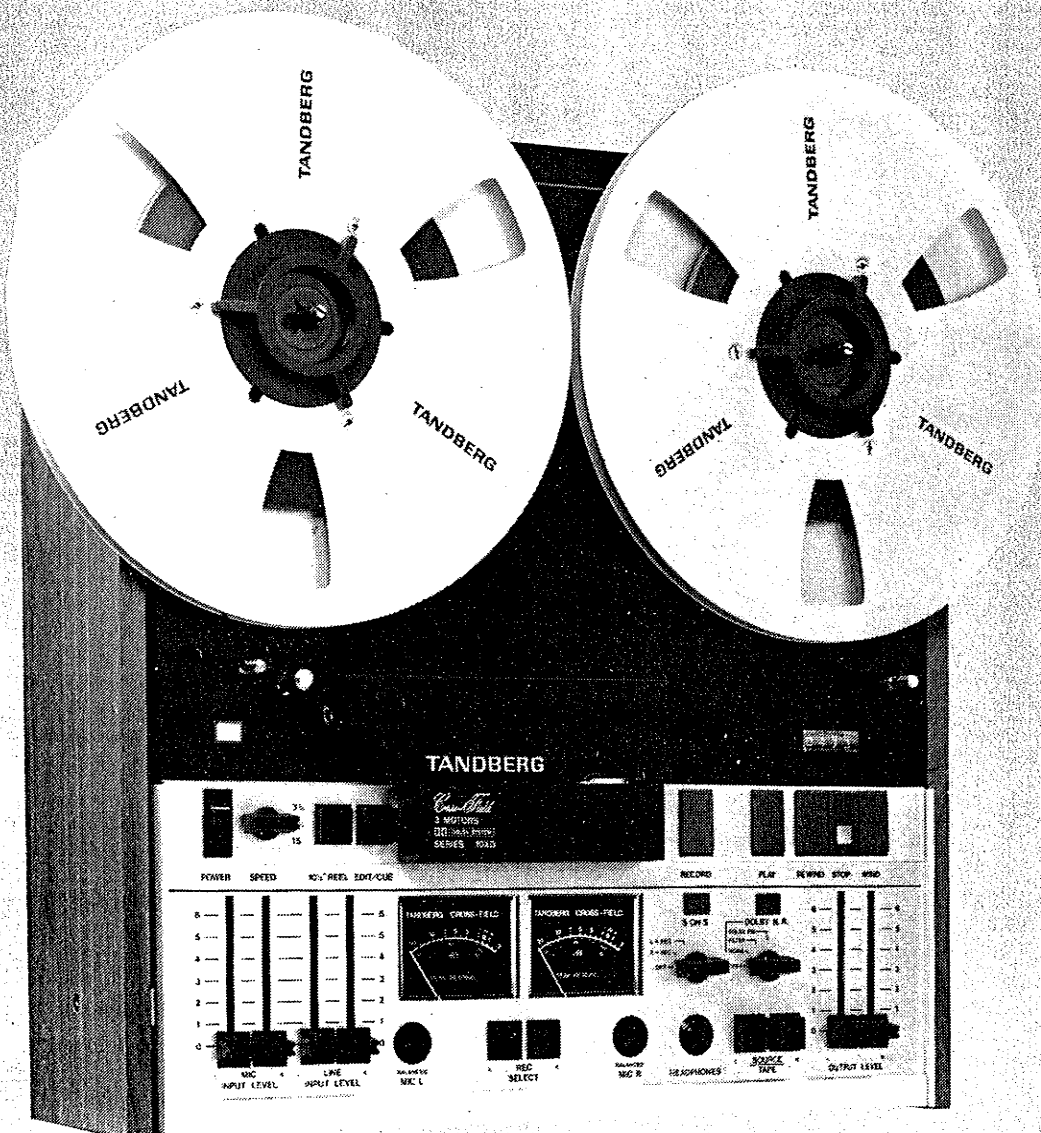
TANDBERG

10X 10XD Stereo Illustrated Parts List

INSTRUCTIONS FOR ORDERING OF REPLACEMENTS PARTS

The serial number, which is a seven digit number found on the rear of the apparatus, should always be given when ordering replacement parts. Please give the ordering number together with the full description when ordering mechanical parts.

Examples: 292128-10XD, Surround, DIN socket, plastic



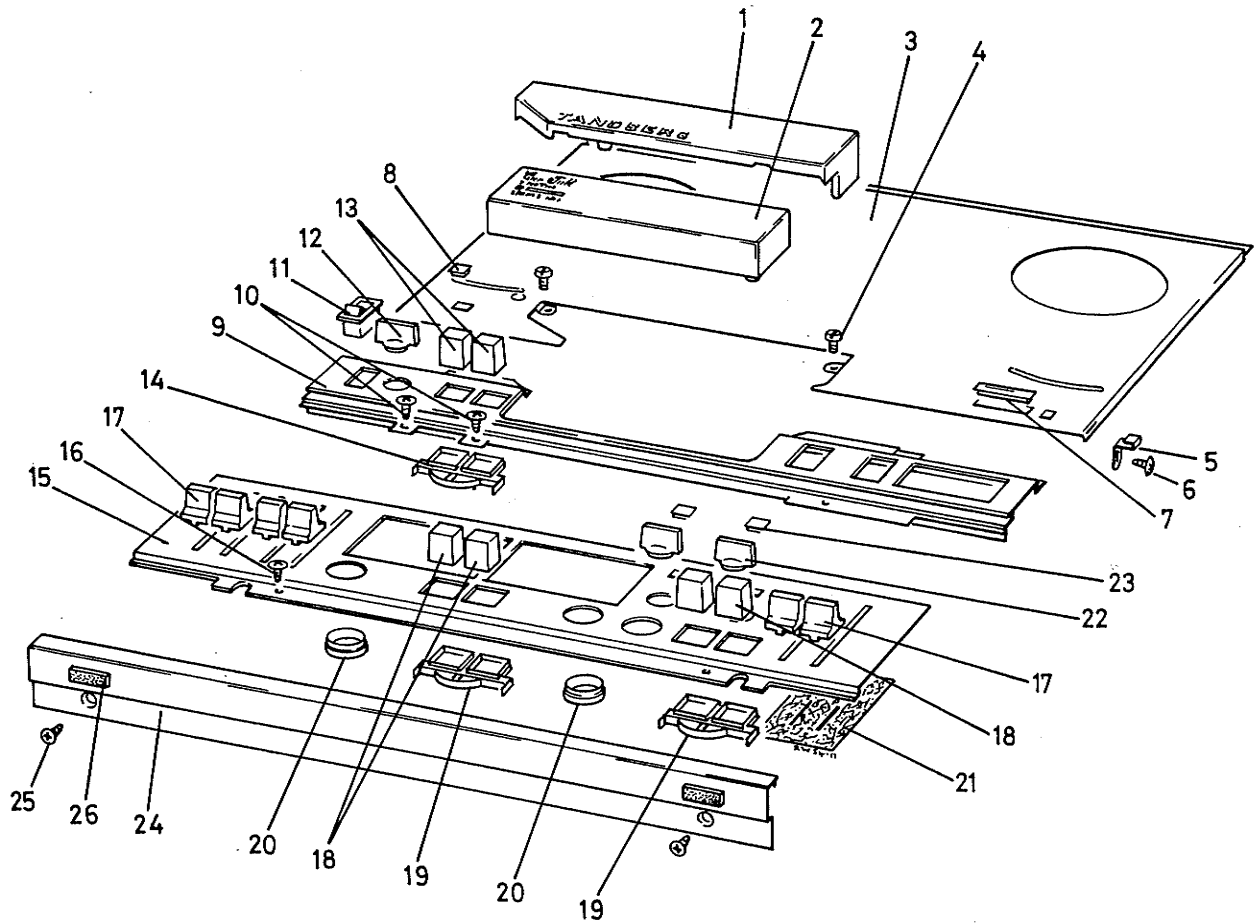
MECHANICAL PARTS

Parts belonging together are arranged in order with the main part first followed by the associated parts. Descriptions of the associated parts are indented and descriptions of the sub-group of parts are further indented.

* These parts are not available as replacement parts.

Deck assembly

SPECIFY THIS WHEN ORDERING					
Index	Ordering No.	Description	Quantity per assv	Total	Notes
		DECK ASSEMBLY			
1	300080 - 10XD	Cover, heads	1	1	
2	331631 - 10XD	Cover, pressure roller arm	1	1	10XD
	333312 - 10X	Cover, pressure roller arm	1	1	10X
3	994579 - 10XD	Plate, deck	1	1	
4	215951 - 10XD	Screw, 3 x 5 mm ch hd	2	18	
5	319865 - 10XD	Bracket, angle, deck plate	2	2	
6	309060 - 10XD	Screw, plate, 1/4" No. 6 pan hd	2	34	
7	303471 - 10XD	Window, plastic	1	1	
8	303370 - 10XD	Window, turquoise, plastic	1	1	
9	316905 - 10XD	Moulding	1	1	
10	309060 - 10XD	Screw, plate, 1/4" No. 6 pan hd	5	-	
11	287553 - 10XD	Switch, rocker	1	1	POWER
12	307229 - 10XD	Knob, black, plastic	1	1	SPEED
13	310102A - 10XD	Button, push, black, plastic	2	6	10 1/2" REEL, EDIT/CUE
14	301215 - 10XD	Surround, push button, plastic	1	3	
15	994578 - 10XD	Plate, instrument	1	1	10XD
	994577 - 10X	Plate, instrument	1	1	10X
16	309060 - 10XD	Screw, plate, 1/4" No. 6 pan hd	2	-	
17	313112 - 10XD	Knob, black, plastic, with spring	6	6	
18	310102A - 10XD	Button, push, black, plastic	4	-	REC SELECT, SOURCE/TAPE
19	301215 - 10XD	Surround, push button, plastic	2	-	
20	292128 - 10XD	Surround, DIN socket, plastic	2	2	
21	300195 - 10XD	Mask, felt	3	3	
22	307229 - 10XD	Knob, black, plastic	2	2	S ON S, DOLBY N.R.
23	313298 - 10XD	Window, turquoise, plastic	2	2	S ON S, DOLBY N.R.
24	316043 - 10XD	Moulding, front	1	1	
25	307990 - 10XD	Screw, plate, 3/8" No. 6 csk hd	2	2	
26	307738 - 10XD	Foot, rubber	2	2	

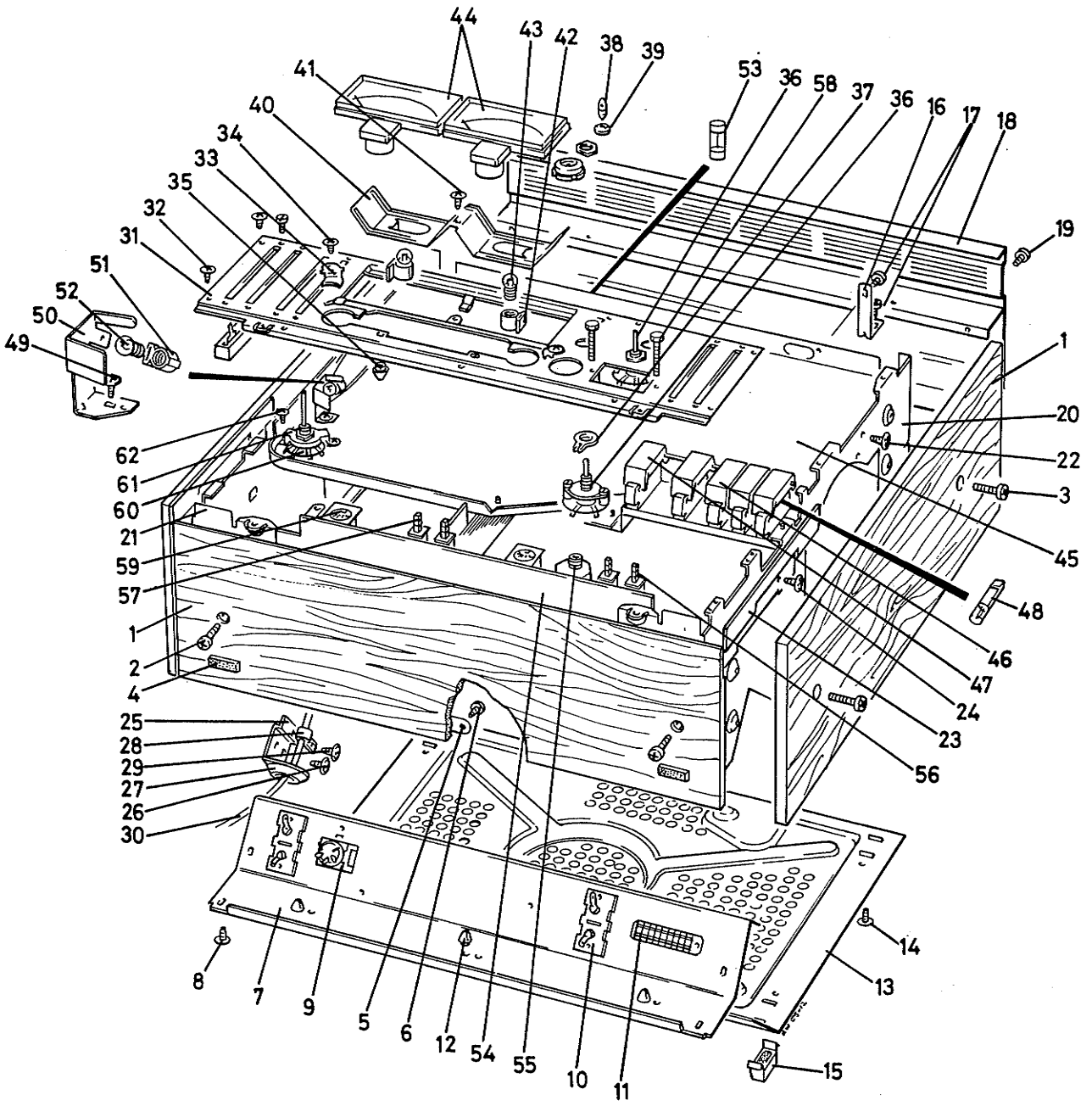


NOTE!
 The numbers on this page are index numbers, and must not be used when ordering. Please refer to the parts list for the Ordering No. and Description.

Fig. 1 Deck assembly

Chassis assembly

SPECIFY THIS WHEN ORDERING			Quantity	Total	Notes
Index	Ordering No.	Description	per assy		
		CHASSIS ASSEMBLY			
1	334217 - 10XD	Panel, rosewood	1	1	supplied with index 4,5,6
	334569 - 10XD	Panel, teak	1	1	supplied with index 4,5,6
	330855 - 10XD	Panel, oak	1	1	supplied with index 4,5,6
2	343564 - 10XD	Screw, 4 x 12 mm ch hd, black	2	2	
3	341883 - 10XD	Screw, 4 x 30 mm ch hd, black	4	4	
4		Foot	2	-	
5		Bracket	1	-	
6		Screw	1	-	
7	994582 - 10XD	Plate, with sockets	1	1	supplied with index 9,10,11
8	227899 - 10XD	Screw, plate, 1/4" No. 6 flange hd	6	35	
9	263085 - 10XD	Socket, 5 pin DIN 180 degrees	1	1	RADIO
10	238623 - 10XD	Socket, phono, double	2	2	LINE IN, LINE OUT
11	287616 - 10XD	Socket, 15 pole	1	1	REMOTE CONTROL
12	224795 - 10XD	Lug, plastic	3	5	
13	994580 - 10XD	Plate, bottom, with feet	1	1	supplied with index 15
14	227899 - 10XD	Screw, plate, 1/4" No. 6 flange hd	4	-	
15	991042 - 10XD	Foot, rubber, with housing	4	4	
16	319678 - 10XD	Bracket, angle	2	2	
17	309060 - 10XD	Screw, plate, 1/4" No. 6 pan hd	2	-	
18	316395 - 10XD	Plate, rear	1	1	
19	309060 - 10XD	Screw, plate, 1/4" No. 6 pan hd	4	-	
20		Plate, chassis	1	-	
21		Plate, chassis	1	-	
22	227899 - 10XD	Screw, plate, 1/4" No. 6 flange hd	3	-	mounted on index 20 and 21
23	318931 - 10XD	Bracket	2	2	mounted on index 20 and 21
24	309060 - 10XD	Screw, plate, 1/4" No. 6 pan hd	2	-	
25	301862 - 10XD	Bracket	1	1	
26	227899 - 10XD	Screw, plate, 1/4" No. 6 flange hd	1	-	
27	286898 - 10XD	Tube, plastic	1	1	European
	281454 - 10XD	Tube, cable, power	1	1	U.S.A.
28	202684 - 10XD	Clamp, cable, nylon, 5 mm	1	1	
29	227899 - 10XD	Screw, plate, 1/4" No. 6 flange hd	1	-	
30	203250 - 10XD	Cable, power, European, with plug	1	1	
	266957 - 10XD	Cable, power, U.S.A., without plug	1	1	
31	306604 - 10XD	Plate, upper mounting	1	1	
32	227899 - 10XD	Screw, plate, 1/4" No. 6 flange hd	6	-	
33	307028 - 10XD	Plate	2	2	
34	227899 - 10XD	Screw, plate, 1/4" No. 6 flange hd	1	-	
35	224795 - 10XD	Lug, plastic	2	-	
36	309785B - 10XD	Switch, selector	2	2	
37	309061 - 10XD	Washer	1	2	
38	900054 - 10XD	Bulb, 14 V 80 mA, with leads	2	2	
39	285720 - 10XD	Grommet, rubber	2	2	
40	303600 - 10XD	Reflector, meter illumination	1	1	
41	227899 - 10XD	Screw, plate, 1/4" No. 6 flange hd	1	-	
42	214925 - 10XD	Holder, bulb	2	3	
43	280038 - 10XD	Bulb, 24 V 50 mA	2	3	
44	861000 - 10XD	Meter	2	2	
45		Plate, lower mounting	1	-	
46	300202 - 10XD	Button, touch, turquoise, plastic	4	4	PLAY, REWIND, STOP, WIND
47	302336A - 10XD	Button, touch, red, plastic	1	1	RECORD
48	286532 - 10XD	Bulb, 12 V 40 mA	5	5	
49	301689 - 10XD	Bracket, support, bulb holder	1	1	
50	227899 - 10XD	Screw, plate, 1/4" No. 6 flange hd	1	-	
51	214925 - 10XD	Holder, bulb	1	-	
52	280038 - 10XD	Bulb, 24 V 50 mA	1	-	
53	265736 - 10XD	Fuse, 2 A, 5 x 20 mm, slow	1	1	
54	994570 - 10XD	Board, main	1	1	10XD
	994571 - 10X	Board, main	1	1	10X
55	294420 - 10XD	Socket, jack, 3 pole 1/4 in.	1	1	HEADPHONES
56	861003 - 10XD	Switch, push	1	1	
57	313499 - 10XD	Switch, push	1	1	
58	213767 - 10XD	Screw, plate, 3/4" No. 4 hex hd	2	2	MIC L, MIC R, European
59	274162 - 10XD	Socket, 5 PIN din 180 degrees	2	2	MIC L, MIC R, U.S.A.
	294420 - 10XD	Socket, jack, 3 pole 1/4 in.	2	2	
60	312789 - 10XD	Switch, selector	1	1	
61	318586 - 10XD	Bracket, U-shaped, support, selector switch	1	1	
62	309060 - 10XD	Screw, plate, 1/4" No. 6 pan hd	2	2	

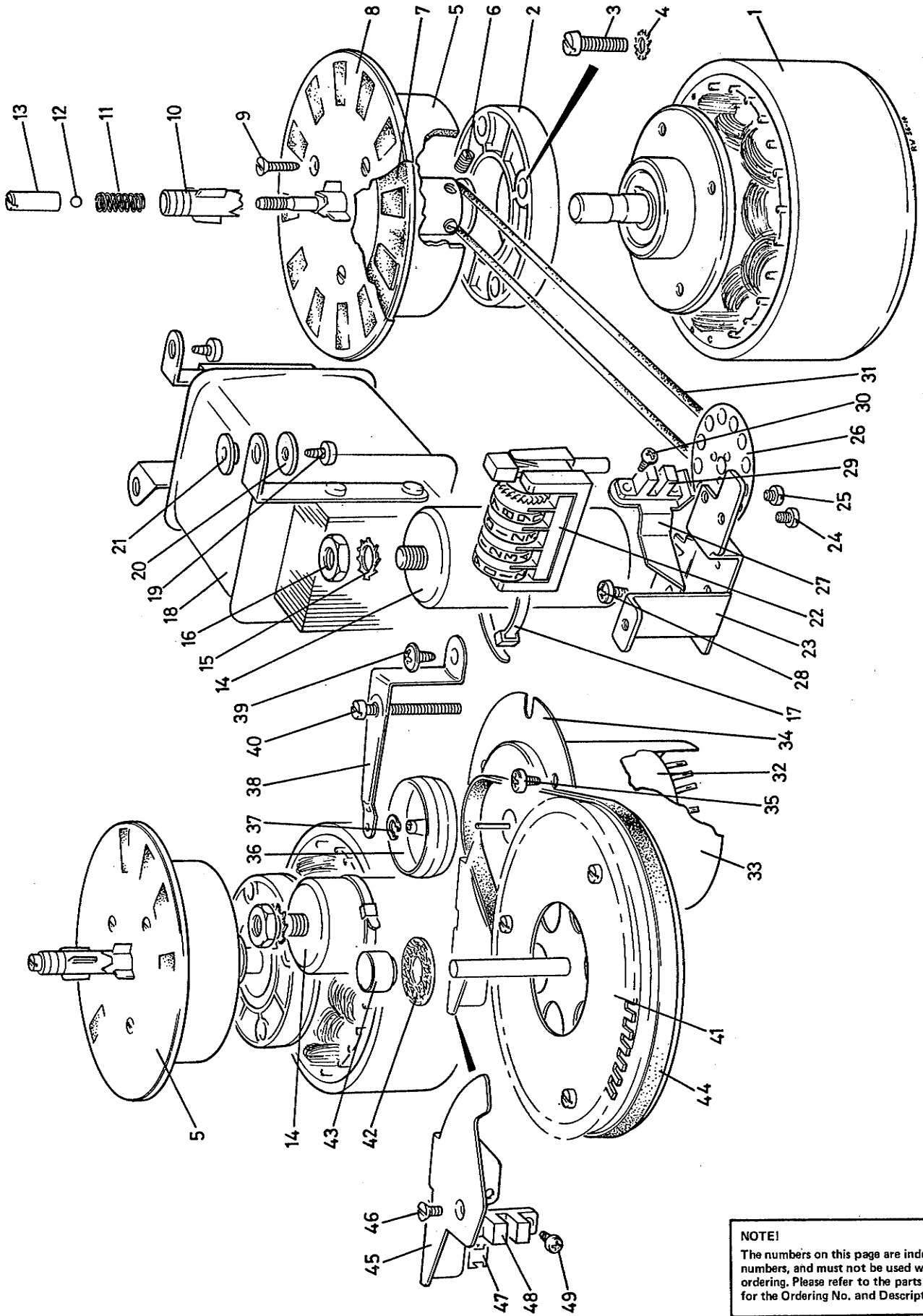


NOTE!
 The numbers on this page are index numbers, and must not be used when ordering. Please refer to the parts list for the Ordering No. and Description.

Fig. 2 Chassis assembly

Drive assembly

SPECIFY THIS WHEN ORDERING					
Index	Ordering No.	Description	Quantity per assy	Total	Notes
		DRIVE ASSEMBLY			
1	311114 - 10XD	Motor	2	2	
2	315849 - 10XD	Spacer	1	2	
3	204875 - 10XD	Screw, 4 x 18 mm ch hd	4	8	
4	202332 - 10XD	Washer, 4.3 mm	4	8	
5	994581 - 10XD	Turntable	1	2	supplied with index 6-13 incl.
6	332939 - 10XD	Screw, set, 4 x 8 mm	1	2	
7	317308 - 10XD	Ring, turntable, rubber	1	2	
8	315627 - 10XD	Cover, turntable	1	2	
9	307875 - 10XD	Screw, plate, 1/2" No. 4 csk hd	3	6	
10	317473 - 10XD	Sleeve, spool hub lock	1	2	
11	277530A - 10XD	Spring	1	2	
12	318364 - 10XD	Ball, bearing, 3 mm	1	2	
13	316381 - 10XD	Nut, spool hub lock	1	2	
14	312795 - 10XD	Capacitor, oiled paper, 4.3 uF 220 V	2	2	
15		Washer	1	-	supplied with index 14
16		Nut	1	-	supplied with index 14
17	319506 - 10XD	Strap, plastic	1	2	
18	342745 - 10XD	Transformer	1	1	
19	288141 - 10XD	Screw, plate, 3/8" No. 6 flange hd	3	9	
20	205694 - 10XD	Washer, 12 x 4.2 x 2 mm, turbax	2	2	
21	286934 - 10XD	Washer, 4 mm, plastic	2	2	
22	301086 - 10XD	Counter	1	1	
23	300008 - 10XD	Bracket, support, counter	1	1	
24	215951 - 10XD	Screw, 3 x 5 mm ch hd	1	-	
25	210556 - 10XD	Screw, 3 x 3 mm ch hd	1	1	
26	994587 - 10XD	Pulley, plastic, with tachometer disc	1	1	
27	334003 - 10XD	Bracket, tachometer sensor	1	1	
28	227899 - 10XD	Screw, plate, 1/4" No. 6 flange hd	1	-	
29	313723 - 10XD	Sensor, tachometer	1	2	
30	220392 - 10XD	Screw, plate, 1/4" No. 4 pan hd	3	4	
31	264966 - 10XD	Belt, drive, rubber	1	1	
32	314872 - 10XD	Motor, 24 V	1	1	
33	338269 - 10XD	Screen, motor	1	1	
34	316316 - 10XD	Cover, motor	1	1	
35	288141 - 10XD	Screw, plate, 3/8" No. 6 flange hd	3	-	
36	316481 - 10XD	Pulley, drive	1	1	
37	201003 - 10XD	Ring, retaining, external, 4 mm	1	1	
38	994586 - 10XD	Spring, thrust bearing	1	1	
39	277899 - 10XD	Screw, plate, 1/4" No. 6 flange hd	1	-	
40	330741 - 10XD	Screw, 3 x 30 mm ch hd	1	1	
41	994588 - 10XD	Flywheel, with tachometer disc	1	1	
42	215872 - 10XD	Ring, felt	1	1	
43	301804 - 10XD	Sleeve, plastic	1	1	
44	308104 - 10XD	Belt, drive, rubber	1	1	
45	318859 - 10XD	Bracket, angle	1	1	
46	215951 - 10XD	Screw, 3 x 5 mm ch hd	1	-	
47	319398 - 10XD	Clip	1	1	
48	313723 - 10XD	Sensor, tachometer	1	-	
49	220392 - 10XD	Screw, plate, 1/4" No. 4 pan hd	2	-	

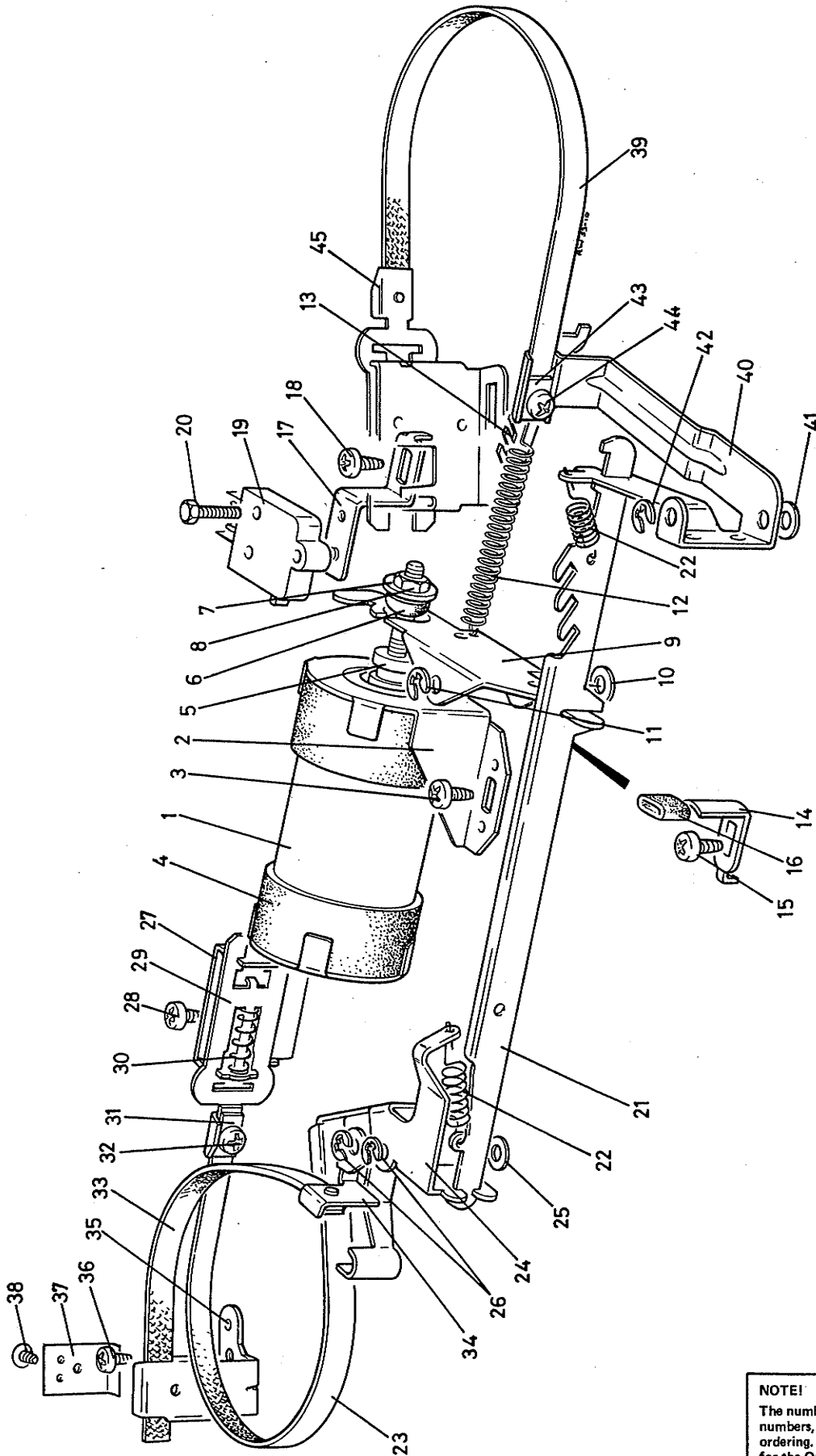


NOTE!
 The numbers on this page are index numbers, and must not be used when ordering. Please refer to the parts list for the Ordering No. and Description.

Fig. 3 Drive assembly

Brake assembly

SPECIFY THIS WHEN ORDERING					
Index	Ordering No.	Description	Quantity per assy	Total	Notes
		BRAKE ASSEMBLY			
1	994507 - 10XD	Solenoid, with long leads	1	1	
2	302623 - 10XD	Bracket	2	2	
3	309060 - 10XD	Screw, plate, 1/4" No. 6 pan hd	1	-	
4	300942A - 10XD	Housing, rubber	2	4	
5	994589 - 10XD	Armature, solenoid	1	1	
6	300461A - 10XD	Washer, plastic	1	1	
7	265922 - 10XD	Washer	1	1	
8	289471 - 10XD	Nut, 4 mm	1	1	
9	316553 - 10XD	Arm	1	1	
10	204013 - 10XD	Washer, 7.5 x 4.2 x 0.5 mm, turbax	1	4	
11	239651 - 10XD	Ring, circlip, 3.2 mm	1	6	
12	319729 - 10XD	Spring	1	1	
13	303686 - 10XD	Plate, spring adjustment	1	1	
14	316690 - 10XD	Bracket, angle	1	1	
15	309060 - 10XD	Screw, plate, 1/4" No. 6 pan hd	1	-	
16	332135 - 10XD	Sleeve, 4 x 8 mm, rubber	1	1	
17	304965 - 10XD	Bracket, support, microswitch	1	1	
18	309060 - 10XD	Screw, plate, 1/4" No. 6 pan hd	1	-	
19	286690 - 10XD	Switch, micro	1	4	
20	217481 - 10XD	Screw, plate, 1/2" No. 4 hex hd	1	1	
21	318234 - 10XD	Arm	1	1	
22	316129 - 10XD	Spring	2	2	
23	994591 - 10XD	Band, brake	1	1	
24	319915 - 10XD	Arm, brake band	1	1	
25	204013 - 10XD	Washer, 7.5 x 4.2 x 0.5 mm, turbax	1	-	mounted on index 24 and 34
26	239651 - 10XD	Ring, circlip, 3.2 mm	1	-	mounted on index 24 and 34
27	304010 - 10XD	Bracket, brake band	1	2	
28	227899 - 10XD	Screw, plate, 1/4" No. 6 flange hd	1	-	mounted on index 27 and 45
29	300296 - 10XD	Plate, brake band	1	2	mounted on index 27 and 45
30	301977 - 10XD	Spring	1	2	mounted on index 27 and 45
31	301797 - 10XD	Clamp	1	4	mounted on index 24,27,34,45
32	227899 - 10XD	Screw, plate, 1/4" No. 6 flange hd	1	-	mounted on index 24,27,34,45
33	994592 - 10XD	Band, brake	1	1	
34	316826A - 10XD	Arm, brake band	1	1	
35	315145 - 10XD	Bracket, brake band	1	1	
36	309060 - 10XD	Screw, plate, 1/4" No. 6 pan hd	1	-	
37	304764 - 10XD	Clamp, brake band	1	1	
38	309060 - 10XD	Screw, plate, 1/4" No. 6 pan hd	1	-	
39	994591 - 10XD	Band, brake	1	1	
40	316201 - 10XD	Arm, brake band	1	1	
41	204013 - 10XD	Washer, 7.5 x 4.2 x 0.5 mm, turbax	1	-	
42	239651 - 10XD	Ring, circlip, 3.2 mm	1	-	
43	301797 - 10XD	Clamp	1	-	
44	309060 - 10XD	Screw, plate, 1/4" No. 6 pan hd	1	-	
45	304010 - 10XD	Bracket, brake band	1	-	

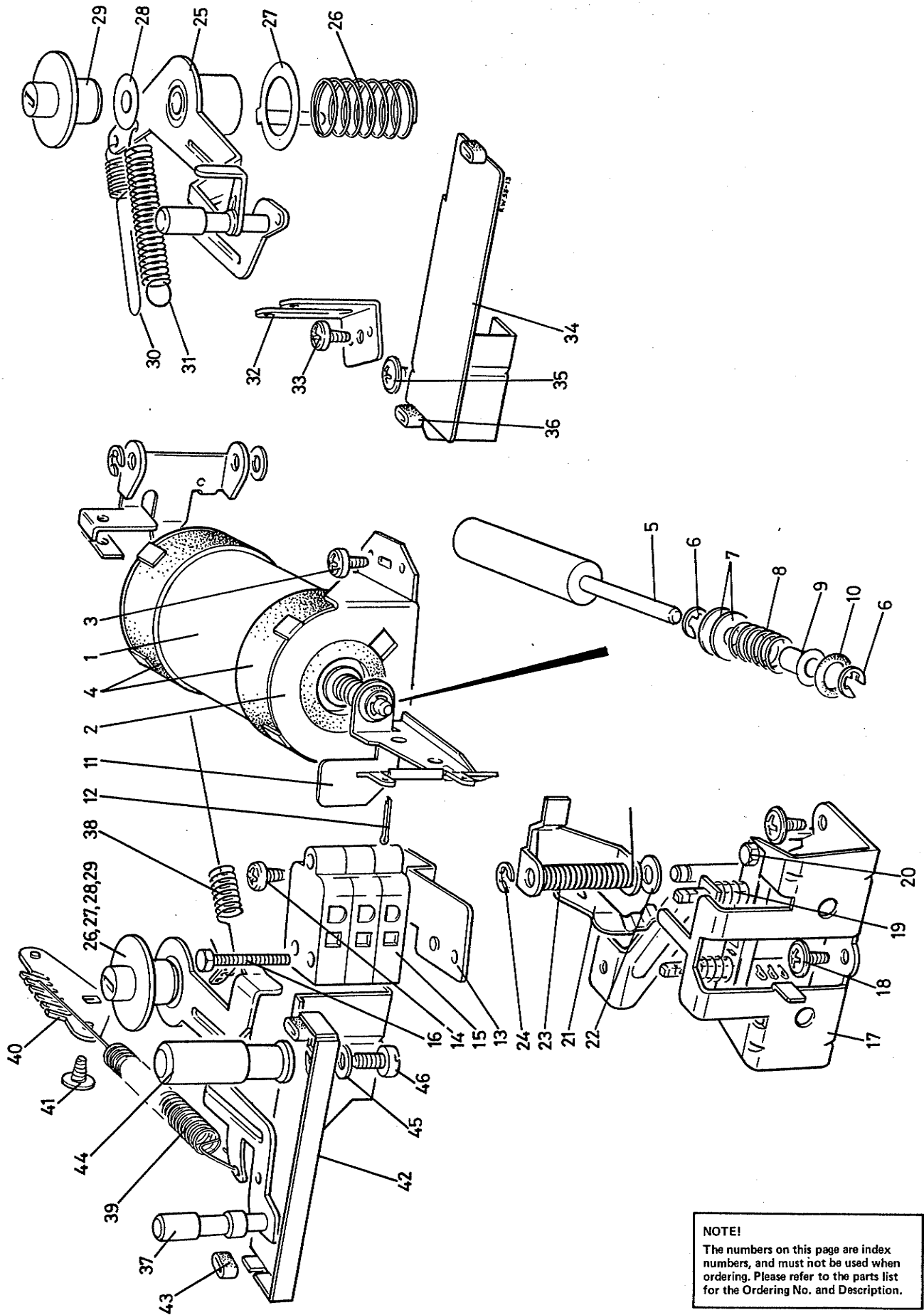


NOTE!
 The numbers on this page are index numbers, and must not be used when ordering. Please refer to the parts list for the Ordering No. and Description.

Fig. 4 Brake assembly

Tape tension assembly

SPECIFY THIS WHEN ORDERING			Quantity	Total	Notes
Index	Ordering No.	Description	per assy		
		TAPE TENSION ASSEMBLY			
1	994595 - 10XD	Solenoid	1	1	
2	302300 - 10XD	Bracket	2	2	
3	309060 - 10XD	Screw, plate, 1/4" No. 6 pan hd	1	-	
4	300942A - 10XD	Housing, rubber	2	-	
5	994583 - 10XD	Armature, solenoid	1	1	
6	230542 - 10XD	Ring, circlip, 2.3 mm	2	2	
7	204105 - 10XD	Washer, 8.5 x 3.5 x 0.7 mm	2	2	
8	303284 - 10XD	Spring	1	1	
9	250951 - 10XD	Eyelet	1	1	
10	294391 - 10XD	Ring, rubber	1	1	
11	339628 - 10XD	Arm, solenoid	1	1	
12	332293 - 10XD	Pin, split	1	1	
13	315073A - 10XD	Bracket, angle, support, microswitch	1	1	
14	309060 - 10XD	Screw, plate, 1/4" No. 6 pan hd	1	-	
15	286690 - 10XD	Switch, micro	3	-	
16	328105 - 10XD	Screw, 3 x 25 mm ch hd	1	1	
17	307581 - 10XD	Bracket, edit/cue	1	1	
18	227899 - 10XD	Screw, plate, 1/4" No. 6 flange hd	3	-	
19	311108 - 10XD	Switch, push	1	1	
20	232367 - 10XD	Screw, plate, 3/16" No. 4 hex hd	2	2	
21	307653A - 10XD	Arm, edit/cue	1	1	
22	204013 - 10XD	Washer, 7.5 x 4.2 x 0.5 mm, turbax	1	-	
23	307301 - 10XD	Spring	1	1	
24	239651 - 10XD	Ring, circlip, 3.2 mm	1	-	
25	994585 - 10XD	Arm, tape tension	1	1	
26	318514 - 10XD	Spring	1	2	
27	317724 - 10XD	Bracket, angle	1	2	
28	318371 - 10XD	Washer, 12 x 5.1 x 0.2 mm	1	2	
29	318507 - 10XD	Nut	1	2	
30	315663 - 10XD	Spring	1	1	
31	315311 - 10XD	Spring	1	1	
32	316747 - 10XD	Bracket, angle, spring mounting	1	1	
33	309060 - 10XD	Screw, plate, 1/4" No. 6 pan hd	1	-	
34	319405 - 10XD	Bracket, stop, tape tension arm	1	1	
35	288141 - 10XD	Screw, plate, 3/8" No. 6 flange hd	1	-	
36	297006 - 10XD	Sleeve, 3.5 x 6.5 mm, rubber	2	4	
37	994584 - 10XD	Arm, tape tension	1	1	
38	319843 - 10XD	Spring	1	1	
39	318162 - 10XD	Spring	1	1	
40	315023 - 10XD	Plate, spring adjustment	1	1	
41	288141 - 10XD	Screw, plate, 3/8" No. 6 flange hd	1	-	
42	318938 - 10XD	Bracket, stop, tape tension arm	1	1	
43	297006 - 10XD	Sleeve, 3.5 x 6.5 mm, rubber	2	-	
44	316833 - 10XD	Post, guide, tape	1	1	
45	202332 - 10XD	Washer, 4.3 mm	1	1	
46	206490 - 10XD	Screw, 4 x 8 mm ch hd	1	1	

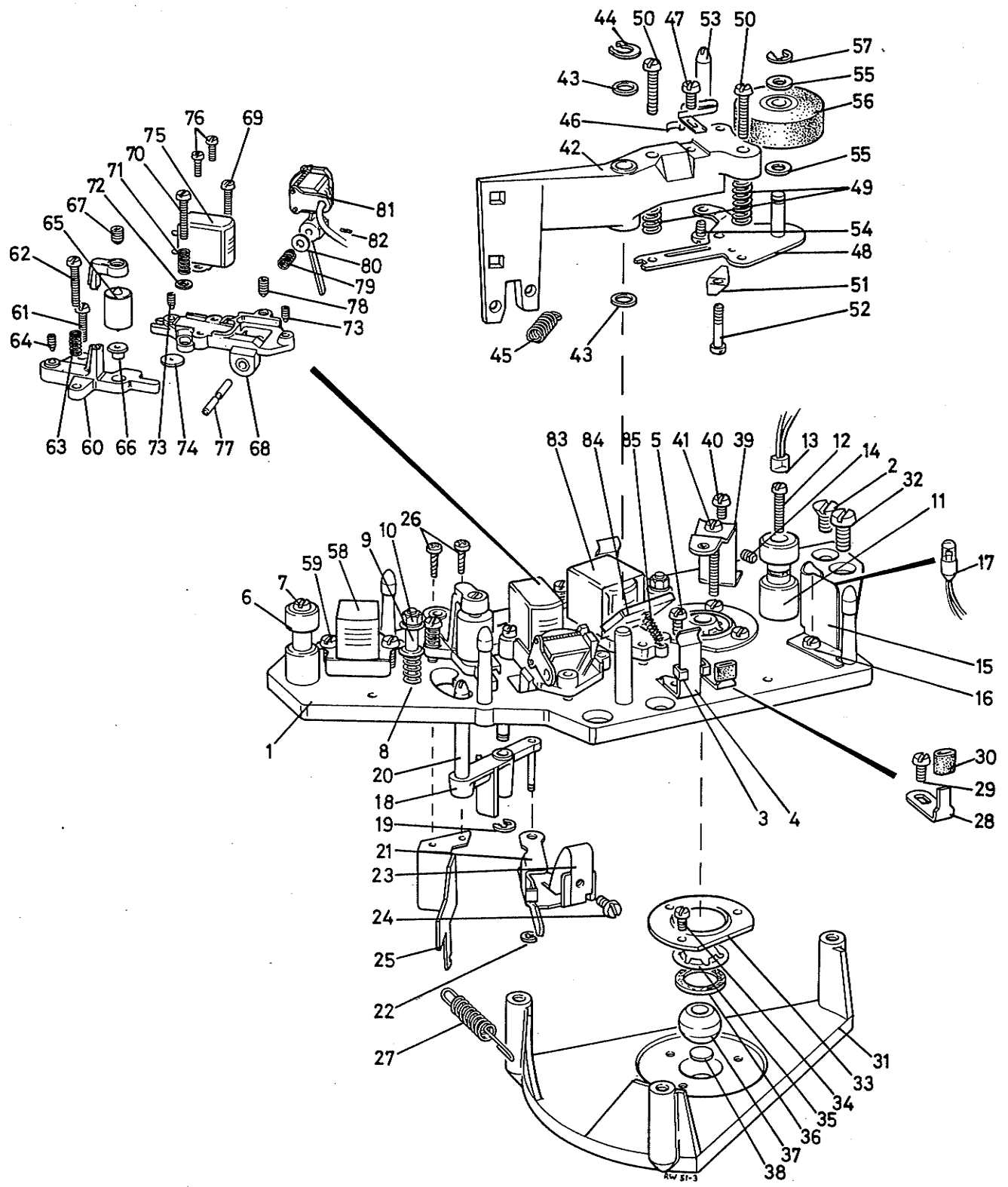


NOTE!
 The numbers on this page are index numbers, and must not be used when ordering. Please refer to the parts list for the Ordering No. and Description.

Fig. 5 Tape tension assembly

Tape path assembly

SPECIFY THIS WHEN ORDERING			Quantity	Total	Notes
Index	Ordering No.	Description	per assy		
		TAPE PATH ASSEMBLY			
1		Plate, tape path	1	-	
2	219313 - 10XD	Screw, 4 x 8 mm csk hd	1	1	
3	302961 - 10XD	Bracket, cover mounting	2	2	
4	304771 - 10XD	Spring	2	2	
5	215951 - 10XD	Screw, 3 x 5 mm ch hd	1	-	
6	303837 - 10XD	Post, guide, tape	1	1	
7	203194 - 10XD	Screw, 3 x 28 mm ch hd	1	2	
8	284578 - 10XD	Spring	2	2	
9	283522 - 10XD	Guide, tape	2	2	
10	266733 - 10XD	Nut, 3 mm	2	2	
11	292129 - 10XD	Post, guide, tape	1	1	
12	293106 - 10XD	Screw, 3 x 14 mm ch hd	1	1	
13	994532 - 10XD	Transistor, photo, with leads	1	1	
14	294787 - 10XD	Screw, set, 4 x 4 mm	1	1	
15	290606 - 10XD	Screen, bulb	1	1	
16	215951 - 10XD	Screw, 3 x 5 mm ch hd	1	-	
17	994531 - 10XD	Bulb, with leads	1	1	
18	994519 - 10XD	Arm, tape guide, with spindle	1	1	
19	239651 - 10XD	Ring, circlip, 3.2 mm	1	-	
20	301100 - 10XD	Screw	1	1	
21	304225 - 10XD	Arm	1	1	
22	230542 - 10XD	Ring, circlip, 2.3 mm	1	1	
23	300396 - 10XD	Spring	1	1	
24	215951 - 10XD	Screw, 3 x 5 mm ch hd	1	-	
25	994537 - 10XD	Switch, with bracket	1	1	
26	225787 - 10XD	Screw, plate, 3/8" No. 4 pan hd	2	2	
27	304161 - 10XD	Spring	1	1	
28	301876 - 10XD	Bracket, angle	1	1	
29	215951 - 10XD	Screw, 3 x 5 mm ch hd	1	-	
30	216720 - 10XD	Sleeve, 3.5 x 5 mm, plastic	1	1	
31	300123 - 10XD	Bracket, flywheel	1	1	
32	206490 - 10XD	Screw, 4 x 8 mm ch hd	3	3	
33	300863 - 10XD	Plate	1	2	mounted on index 1 and 31
34	215951 - 10XD	Screw, 3 x 5 mm ch hd	3	-	mounted on index 1 and 31
35	287998 - 10XD	Washer	1	2	mounted on index 1 and 31
36	219586 - 10XD	Ring, felt	1	2	mounted on index 1 and 31
37	285613 - 10XD	Bearing, 5 mm	1	2	mounted on index 1 and 31
38	300324 - 10XD	Disc	1	1	
39	994512 - 10XD	Spring, thrust bearing	1	1	
40	215951 - 10XD	Screw, 3 x 5 mm ch hd	1	-	
41	203194 - 10XD	Screw, 3 x 28 mm ch hd	1	-	
42	304893 - 10XD	Arm, pressure roller	1	1	
43	200299 - 10XD	Washer, 7.5 x 5.2 x 0.5 mm, turbax	2	2	
44	217540 - 10XD	Ring, retaining, external, 5 mm	1	1	
45	342314 - 10XD	Spring	1	1	
46	342515 - 10XD	Spring, flat	1	1	
47	215951 - 10XD	Screw, 3 x 5 mm ch hd	1	-	
48	994513 - 10XD	Plate, with spindle	1	1	
49	301007 - 10XD	Spring	2	2	
50	213918 - 10XD	Screw, 3 x 15 mm ch hd	2	5	
51	302508 - 10XD	Spring, flat	1	1	
52	300827 - 10XD	Screw, 3 x 13 mm ch hd	1	1	
53	304814 - 10XD	Post	1	1	
54	215951 - 10XD	Screw, 3 x 5 mm ch hd	1	-	
55	214895 - 10XD	Washer, 7.5 x 4.2 x 0.3 mm, turbax	2	2	
56	994505 - 10XD	Roller, pressure, rubber	1	1	
57	239651 - 10XD	Ring, circlip, 3.2 mm	1	-	
58	2160-18E - 10XD	Head, erase, 4 track	1	1	
	2014-20E - 10XD	Head, erase, 2 track	1	1	
59	213918 - 10XD	Screw, 3 x 15 mm ch hd	3	-	
60	300159 - 10XD	Bracket, flutter roller	1	1	
61	214336 - 10XD	Screw, 3 x 12 mm ch hd	1	3	
62	210622 - 10XD	Screw, 3 x 18 mm ch hd	1	3	
63	240406A - 10XD	Spring	1	3	
64	304836 - 10XD	Screw, set, 3 x 8 mm	1	5	
65	994526 - 10XD	Roller, flutter	1	1	
66	302077 - 10XD	Bearing, plastic	1	1	
67	303758 - 10XD	Screw, plastic	1	1	
68	994538 - 10XD	Bracket, record/bias heads	1	1	
69	214336 - 10XD	Screw, 3 x 12 mm ch hd	1	-	mounted on index 68 and 83
70	210622 - 10XD	Screw, 3 x 18 mm ch hd	1	-	mounted on index 68 and 83
71	240406A - 10XD	Spring	1	-	mounted on index 68 and 83
72	237833 - 10XD	Washer, 6 x 3.2 x 0.5 mm	1	2	mounted on index 68 and 83
73	304836 - 10XD	Screw, set, 3 x 8 mm	2	-	mounted on index 68 and 83
74	290692 - 10XD	Disc	1	2	
75	5828-R - 10XD	Head, record, 4 track	1	1	
	5199-R - 10XD	Head, record, 2 track	1	1	
76	275225 - 10XD	Screw, 2.6 x 8 mm ch hd	2	2	
77	303169 - 10XD	Spindle	1	1	
78	302192 - 10XD	Screw, set, 4 x 10 mm	1	1	
79	302839 - 10XD	Spring	1	1	
80	292494 - 10XD	Washer	1	1	
81	2276-05B - 10XD	Head, bias, 4 track	1	1	supplied with index 82
	2013-06B - 10XD	Head, bias, 2 track	1	1	supplied with index 82
82	293198 - 10XD	Screw, set, 3 x 3 mm	1	1	



NOTE!
 The numbers on this page are index numbers, and must not be used when ordering. Please refer to the parts list for the Ordering No. and Description.

Fig. 6 Tape path assembly

SPECIFY THIS WHEN ORDERING					
Index	Ordering No.	Description	Quantity per assy	Total	Notes
83	994594 - 10XD	Head, playback, 4 track	1	1	supplied with index 84, 85
	994593 - 10XD	Head, playback, 2 track	1	1	
84	343018 - 10XD	Screen, playback head	1	1	supplied with index 84, 85
85	343995 - 10XD	Spring	1	1	

Switches

PETRICK SWITCH MAINTENANCE

Do not touch the moving contacts with your fingers as this will cause corrosion. When cleaning use only a soft brush and alcohol. Do not use cleaners which contain active substances. Apply a thin layer of vaseline to the moving contacts prior to replacement.

When ordering springs, give the Ordering No. of the plunger because the spring strength is dependent on the plunger's length.

To remove the plunger, pull the locking plate forward and while the locking tag is moved in the direction of the arrow, prevent the other plungers from jumping out. Retract the plunger from the switch housing to gain access to the moving contacts. By closing the two tabs 'A', the locking plate, locking spring, and locking pin may be removed. The switch housing may then be removed from the switch carrier after unsoldering the associated terminals.

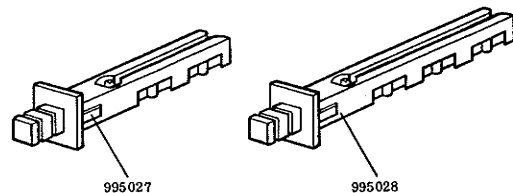
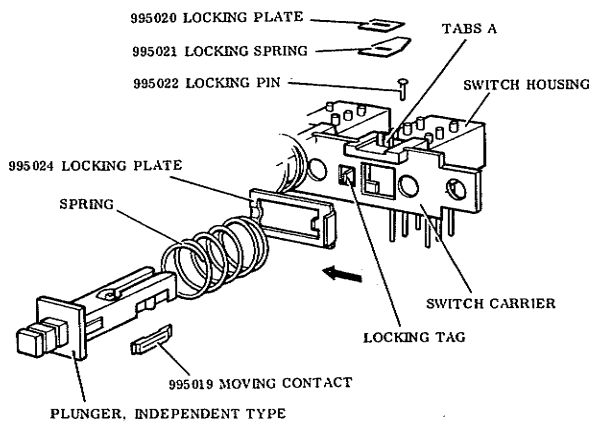
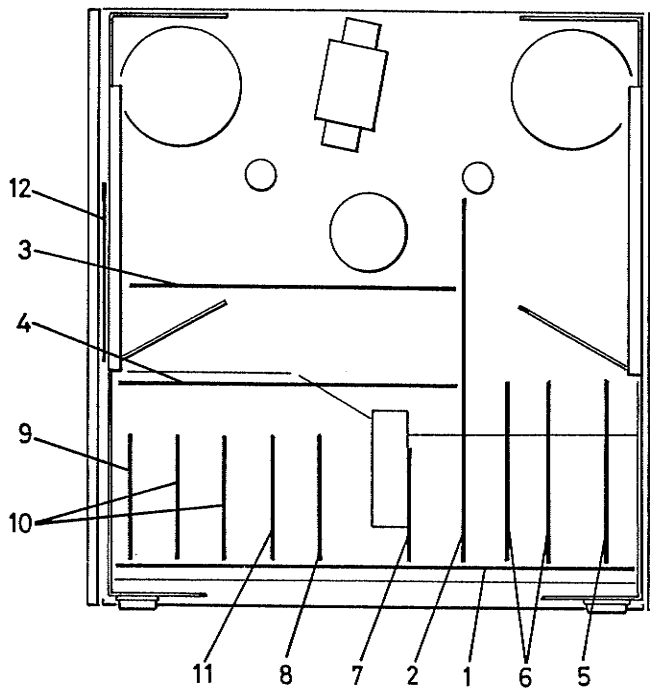


Fig. 7 Switches



NOTE!
The numbers on this page are index numbers, and must not be used when ordering. Please refer to the parts list for the Ordering No. and Description.

Fig. 8 Printed circuit boards

Printed circuit boards

Index	SPECIFY THIS WHEN ORDERING		Quantity per assy	Total	Notes
	Ordering No.	Description			
		PRINTED CIRCUIT BOARDS			
1	994570 - 10XD	Board, main	1	1	A1, 10XD
	994571 - 10X	Board, main	1	1	A1, 10X
2	994572 - 10XD	Board, rectifier	1	1	A5
3	994574 - 10XD	Board, motor control	1	1	A12
4	994575 - 10XD	Board, logic control	1	1	A13
5	994557 - 10XD	Board, input amplifier	1	1	A2, European
	994562 - 10XD	Board, input amplifier	1	1	A2, U.S.A.
6	994560 - 10XD	Board, Dolby encoder	2	2	A3, A4, 10XD
7	994555 - 10XD	Board, oscillator	1	1	A6
8	994573 - 10XD	Board, record amplifier	1	1	A7
9	994552 - 10XD	Board, playback amplifier	1	1	A11
10	994561 - 10XD	Board, Dolby decoder	2	2	A9, A10, 10XD
11	994553 - 10XD	Board, output amplifier	1	1	A8
12	994576 - 10XD	Board, speed control	1	1	A14

TANDBERG PITCH CONTROL

General

The Pitch Control unit is designed for use with 10XD Tape Recorders specially ordered with this option.

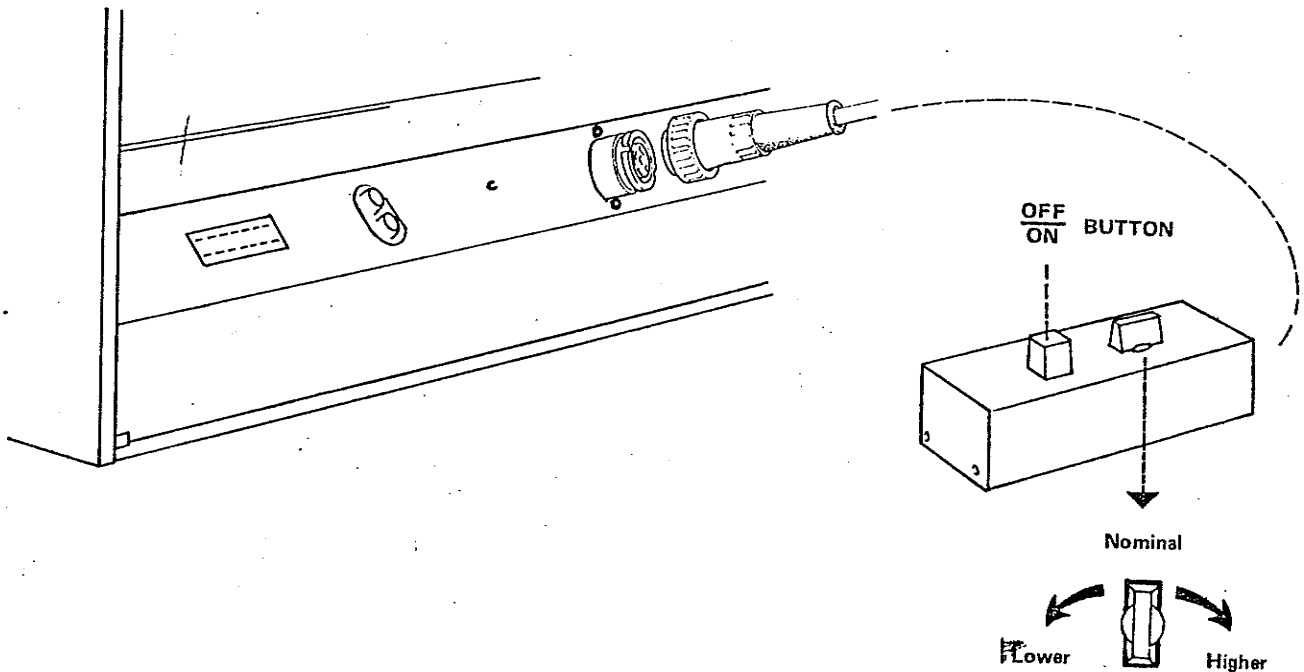
When the Pitch Control unit is plugged into the PITCH CONTROL socket of 10XD, the tape speed in PLAY or RECORD can be manually controlled within approximately $\pm 10\%$ of the nominal tape speeds.

The Pitch Control unit will have an effect on the tape speed only when the OFF/ON button on the Pitch Control unit is depressed.

Operating Instructions

Connect the Pitch Control unit as shown.

Depress the OFF/ON button to activate the control unit. To return to nominal tape speed, release the OFF/ON button.



TANDBERG PITCH CONTROL

General

The Pitch Control unit is designed for use with 10XD Tape Recorders specially ordered with this option.

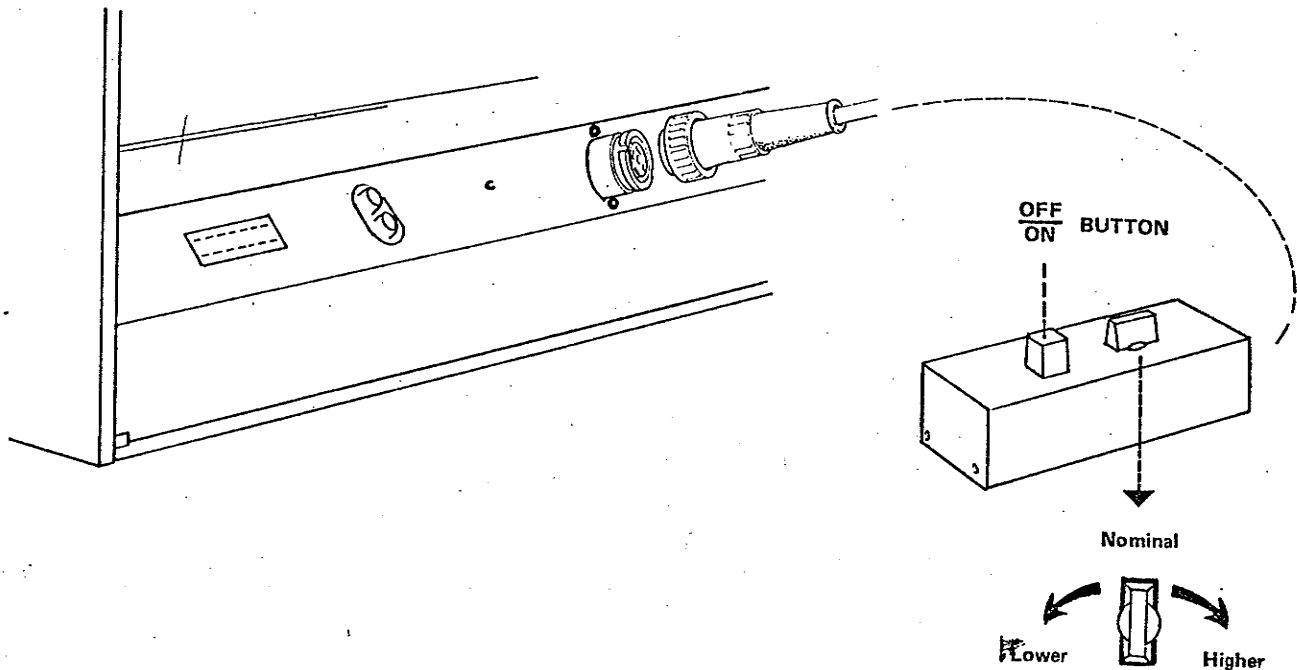
When the Pitch Control unit is plugged into the PITCH CONTROL socket of 10XD, the tape speed in PLAY or RECORD can be manually controlled within approximately $\pm 10\%$ of the nominal tape speeds.

The Pitch Control unit will have an effect on the tape speed only when the OFF/ON button on the Pitch Control unit is depressed.

Operating Instructions

Connect the Pitch Control unit as shown.

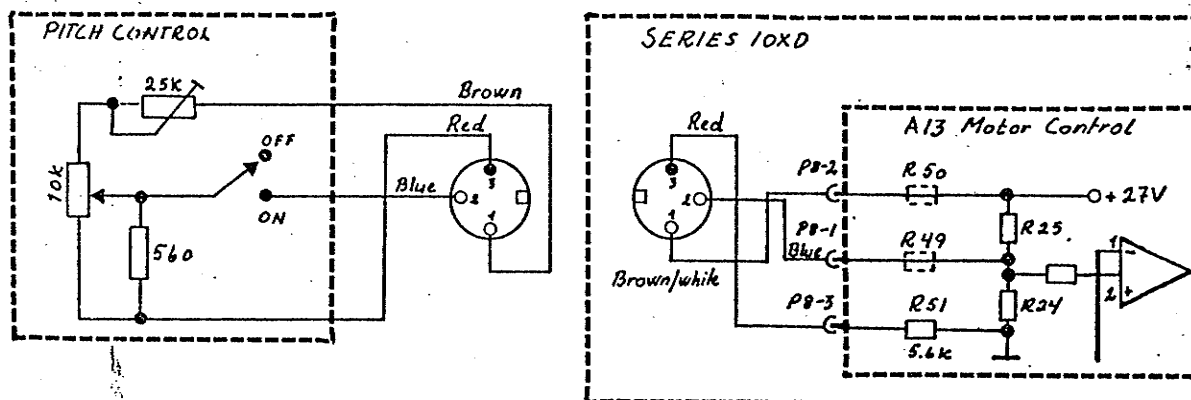
Depress the OFF/ON button to activate the control unit. To return to nominal tape speed, release the OFF/ON button.



TANDBERG PITCH CONTROL

Installation

To modify a 10XD recorder for use with the Pitch Control unit, modify the recorder as explained below.



1. Remove the connector panel at the bottom of the recorder.
2. Punch or cut a hole for the Pitch Control socket in the middle of the connector panel and fasten the socket.
3. Connect the P8 plug (see diagram) to the Motor Control board.
4. Recorders with serial No. below approximately 2 371 800 must be modified as follows:
 - Short-circuit R50 (33 k ohms) and R49 (1 k ohm)
 - Change R51 from 8.2 k ohms to 5.6 k ohms.
5. Replace the connector panel.

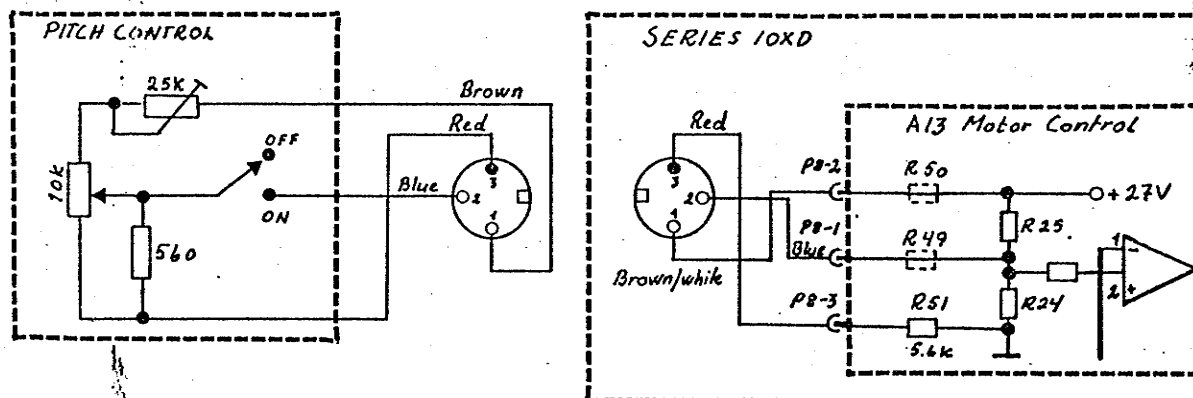
Adjustments

1. Connect the Pitch Control unit, and set the control knob in centre position.
2. Set 10XD for 15 ips and set OUTPUT LEVEL to maximum.
3. Load the 10XD with Tandberg Test Tape No. 11 (speed control).
4. Connect a frequency counter to LINE OUT.
5. Start the recorder in PLAY and note the frequency counter reading.
6. Depress the ON/OFF button on the Pitch Control unit.
7. Adjust the potentiometer accessible from the bottom of the Pitch Control unit to obtain the same frequency reading as in step 5.
8. Rotate the control knob fully clockwise and fully anti-clockwise and check that the frequency reading varies by at least $\pm 8\%$.
9. Check that the frequency varies by the same amount from maximum to minimum at the tape tape speeds $3\frac{3}{4}$ and $7\frac{1}{2}$ ips.

TANDBERG PITCH CONTROL

Installation

To modify a 10XD recorder for use with the Pitch Control unit, modify the recorder as explained below.



1. Remove the connector panel at the bottom of the recorder.
2. Punch or cut a hole for the Pitch Control socket in the middle of the connector panel and fasten the socket.
3. Connect the P8 plug (see diagram) to the Motor Control board.
4. Recorders with serial No. below approximately 2 371 800 must be modified as follows:
 - Short-circuit R50 (33 k ohms) and R49 (1 k ohm)
 - Change R51 from 8.2 k ohms to 5.6 k ohms.
5. Replace the connector panel.

Adjustments

1. Connect the Pitch Control unit, and set the control knob in centre position.
2. Set 10XD for 15 ips and set OUTPUT LEVEL to maximum.
3. Load the 10XD with Tandberg Test Tape No. 11 (speed control).
4. Connect a frequency counter to LINE OUT.
5. Start the recorder in PLAY and note the frequency counter reading.
6. Depress the ON/OFF button on the Pitch Control unit.
7. Adjust the potentiometer accessible from the bottom of the Pitch Control unit to obtain the same frequency reading as in step 5.
8. Rotate the control knob fully clockwise and fully anti-clockwise and check that the frequency reading varies by at least $\pm 8\%$.
9. Check that the frequency varies by the same amount from maximum to minimum at the tape tape speeds $3\frac{3}{4}$ and $7\frac{1}{2}$ ips.

REMOTE CONTROL 9

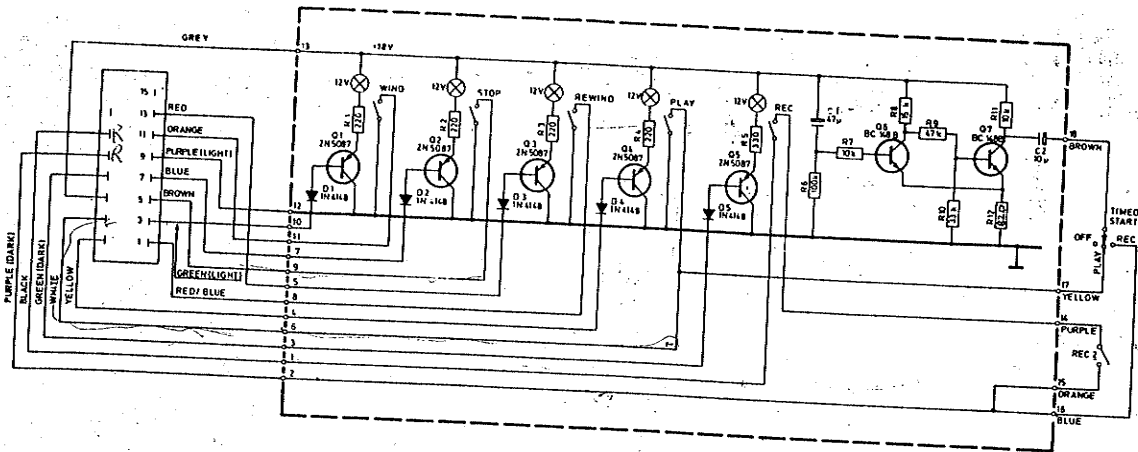


FIG. 6. REMOTE CONTROL

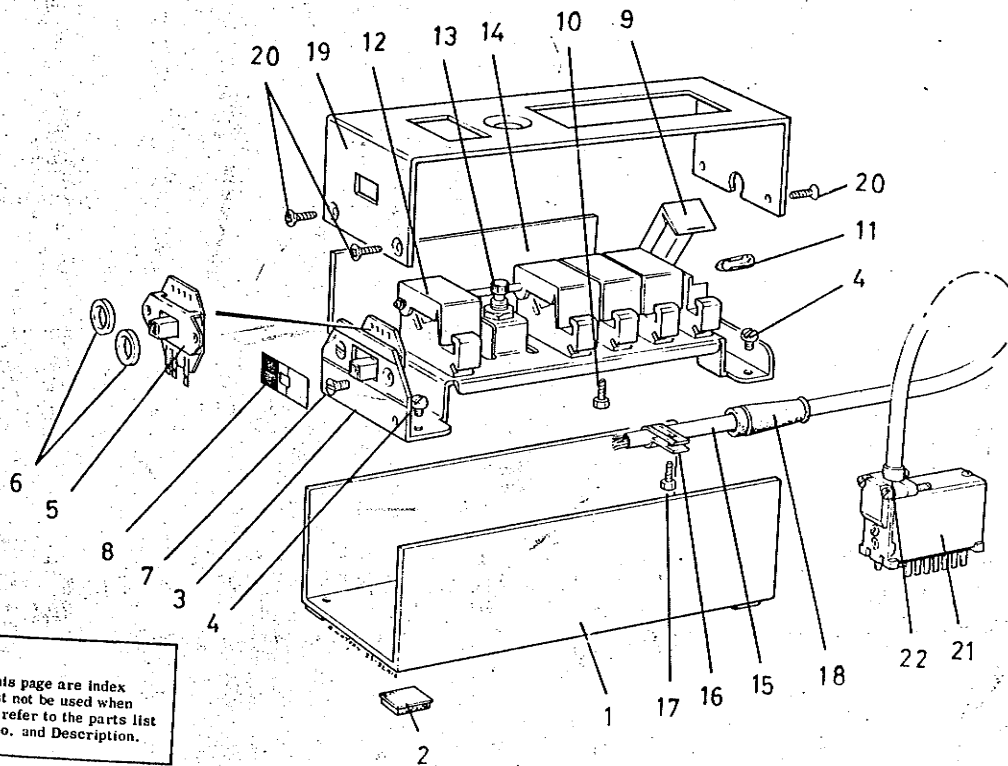


FIG. 7. REMOTE CONTROL ASSEMBLY

NOTE:
The numbers on this page are index numbers, and must not be used when ordering. Please refer to the parts list for the Ordering No. and Description.

SPECIFY THIS WHEN ORDERING					
Index	Ordering No.	Description	Quantity per assy	Total	Notes
	* 293357 - 9000X	REMOTE CONTROL ASSEMBLY			
	294909 - 9000X	Housing			
3	* 210556 - 9000X	Foot, rubber	1	1	
4	286912 - 9000X	Bracket	4	4	
5	308191 - 9000X	Screw, 3 x 3 mm ch hd	1	-	
6	232662 - 9000X	Switch, slide	4	-	
7	296100 - 9000X	Washer, plastic	1	-	TIMED START
8	300202 - 9000X	Screw, 3 x 6 mm csk hd	2	2	
9	220169 - 9000X	Plate, indicator, plastic	2	-	
10	286532 - 9000X	Button, touch, turquoise, plastic	1	1	
11	302336 - 9000X	Screw, plate, 3/16" No. 4 hex hd	4	-	PLAY, REWIND, STOP and WIND
12	240383 - 9000X	Bulb, 12 V 40 mA	5	5	
13	* 291820 - 9000X	Button, touch, red, plastic	5	-	
	202684 - 9000X	Switch, push	1	-	RECORD
	292675 - 9000X	Board, printed circuit	1	-	RECORD
	287537 - 9000X	Cable	1	-	
19	291676 - 9000X	Clamp, cable, nylon, 5 mm	1	1	Supplied by the yard
20	234206 - 9000X	Screw, plate, 1/4" No. 4 hex hd	1	1	
21	290139 - 9000X	Tube, rubber	1	-	
22		Cover	1	1	
		Screw, plate, 3/8" No. 4 csk hd, black	1	1	
		Plug, 15 pole	4	4	
		Sleeve, plastic	1	1	
			1	1	

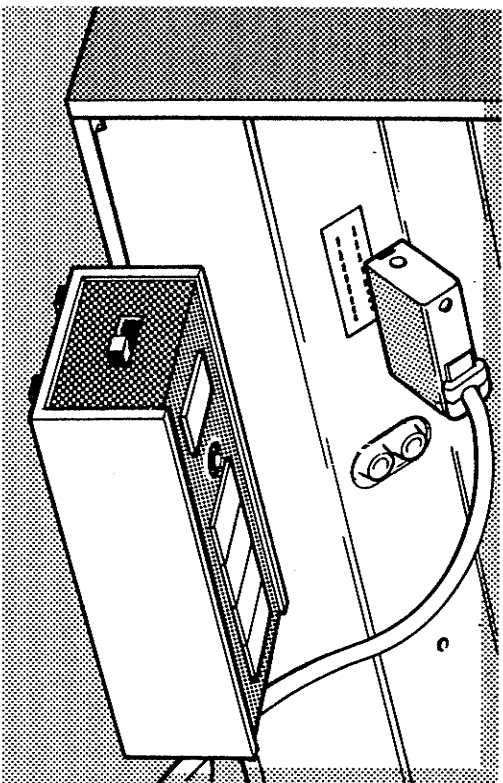
Tandberg Remote Control 9

Generelt.

Tandberg Remote Control 9 kan brukes for følgende båndopptakere: 9000X, 9100X.

Et koplingsur (timer) kan brukes i forbindelse med fjernstyringsenheten for å starte båndopptakeren automatisk på et hvilket som helst tidspunkt avhengig av koplingsuret. Se neste side.

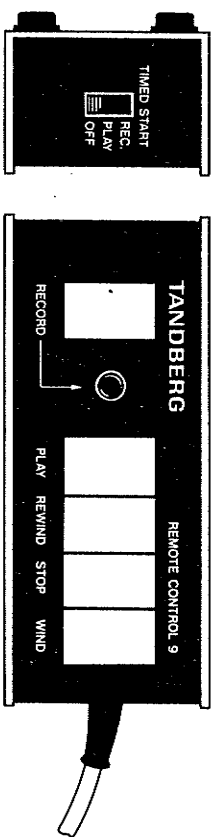
Tilkopling.



Pluggen på fjernstyringsenheten koples til kontakten REMOTE CONTROL på baksiden av båndopptakeren.

MERK! Når fjernstyringsenheten er tilkoppelt og venderen TIMED START står i stilling OFF, kan man fremdeles bruke funksjonstastene på båndopptakeren.

Innspilling (uten koplingsur).



Pass på at venderen TIMED START på fjernstyringsenheten står i stilling OFF. Forbered innspillingen på vanlig måte og trykk ned STOP-tasten hvis den ikke allerede lyser. Trykk deretter samtidig ned de to RECORD-tastene, et kortvarig lett trykk er nok.

Avspilling (uten koplingsur).

Pass på at venderen TIMED START på fjernstyringsenheten står i stilling OFF. Forbered avspillingen på vanlig måte og start ved å gi PLAY-tasten er lett trykk.

Hurtigspoling.

Spoling fremover: Trykk på WIND-tasten.

Tilbakespuling: Trykk på REWIND-tasten.

Bruk av koplingsur (timer).

MERK! Koplingsur kan bare brukes sammen med REMOTE CONTROL 9.

Innspilling.



Plugg koplingsuret inn i stikkontaktten og båndopptakerens nettplugg inn i kontaktten på koplingsuret som antydnet på figuren.

Innstill koplingsuret på ønsket tid for innkopling av båndopptakeren. Unngå å innstille tiden for knapt slik at De ikke mister begynnelsen eller slutten av programmet. Innstill båndopptakeren på normal måte for innspilling uten å trykke på RECORD-tasten.

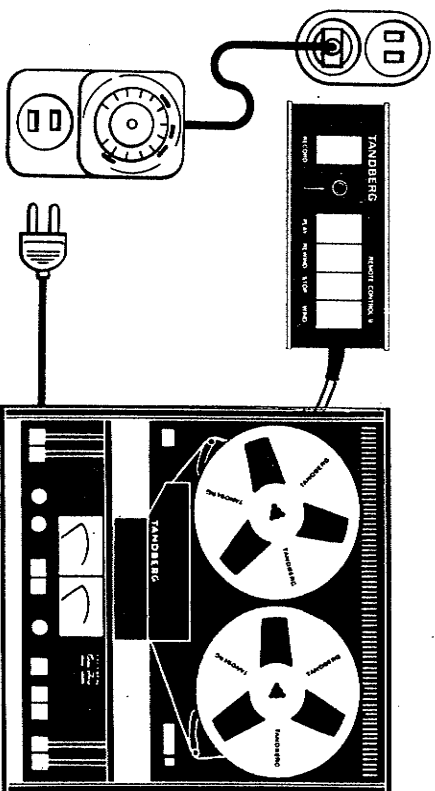
Fjernstyringsenheten må være tilkopleet båndopptakeren og venderen TIMED START settes i stilling REC.

Avspilling.



Tilkopling av koplingsuret og innstilling av tidspunktet for start og stopp skjer på samme måte som for innspilling. Innstill båndopptakeren på vanlig måte uten å trykke ned PLAY-tasten.

Fjernstyringsenheten må være tilkopleet båndopptakeren og venderen TIMED START settes i stilling PLAY.



MERK! Når båndopptakeren ikke skal startes eller stoppes med koplingsur, skal venderen TIMED START på fjernstyringsenheten alltid stå i stilling OFF.